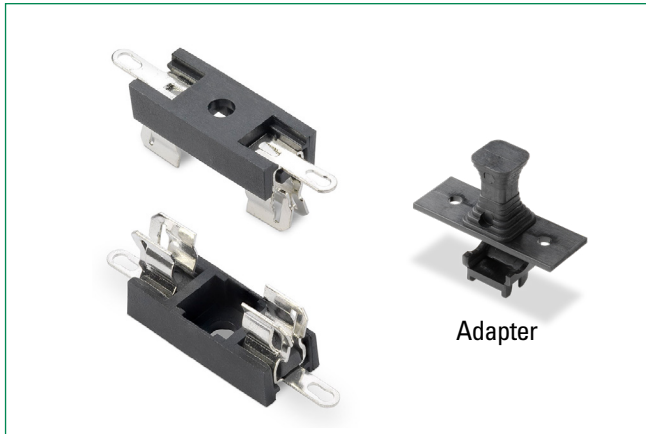


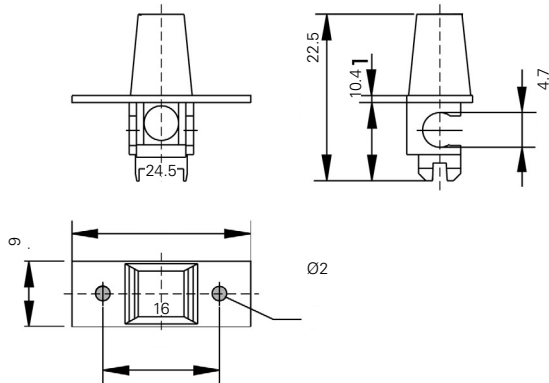
647 Series

Molded Fuse Block and 640 Series Adapter for 5×20 mm Fuses

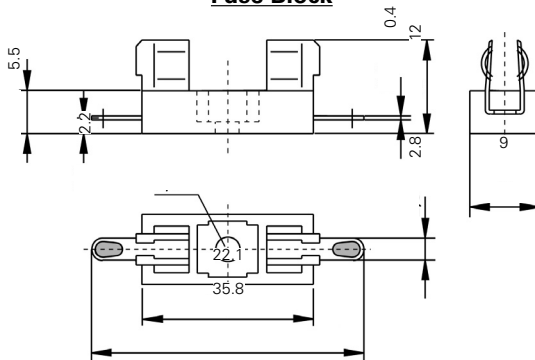


Dimensions (mm)

Adapter



Fuse Block



Product Characteristics

Compatible Fuse Sizes	5×20 mm
Materials	Holder: Black Thermoplastic, UL94 V-0 Polyamide PA 6.6 Adapter 640 Series (Optional): Polyester PBT, UL94 V-0 Metal Parts: Tin plated copper alloy
Electrical Data (23°C)	Rated Voltage: 250 V Max. Current/Power: 6.3 A/2.5 W 6.3 A/1.6 W (with 640 Series Adapter)
Mounting	Ø3 mm screw hole (Hand adapter can be optionally used with Holder 646 Series and 647 Series)
Terminals	Solderable or 2.8 mm quick connect - fits 0.5 mm tabs
Minimum Cross Section	Conducting path - 2.5 mm ²
Unit Weight	1.7 g (Holder), 1.0 g (Adapter)

Ordering Information

Ordering PN	Description
64700001003	5X20 mm Fuse Block Cable Type
64000001003	Adapter Black
64000001403	Adapter Brown
64000001503	Adapter White
64000001603	Adapter Yellow
64000001703	Adapter Green
64000001903	Adapter Blue

Additional Information



Resources



Accessories



Samples

Disclaimer Notice - Information furnished is believed to be accurate and reliable. However, users should independently evaluate the suitability of and test each product selected for their own applications. Littelfuse products are not designed for, and may not be used in, all applications. Read complete Disclaimer Notice at: www.littelfuse.com/disclaimer-electronics.