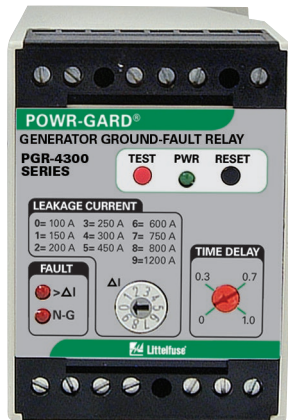
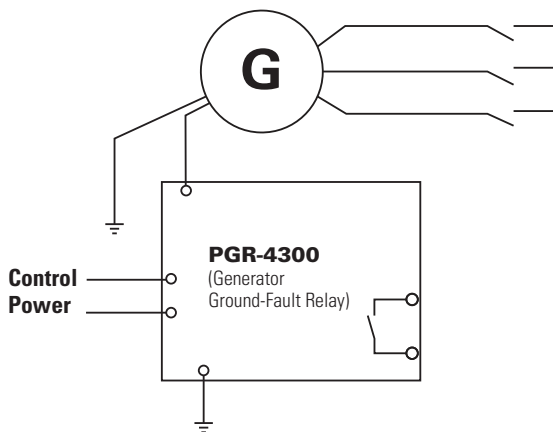


# PGR-4300 SERIES (GFA300)

## Generator Ground-Fault Relay



### Simplified Circuit Diagram



### Description

The PGR-4300 Generator Ground-Fault Relay provides a simple method for detecting a ground-fault condition on generators without the need for current transformers (CTs). This greatly simplifies the installation. In addition, it is compatible with both three- and four-pole transfer switches. This relay also monitors the neutral-to-ground path for continuity. The PGR-4300 is ideal for any generator or application where there is not sufficient space to install CTs.

### Features & Benefits

FEATURES	BENEFITS
<b>No CTs required</b>	Saves space and simplifies installation
<b>Adjustable pickup (100 - 1200 A)</b>	Adjustable trip setting provides a wide range of protection and allows system coordination
<b>Adjustable time delay (0 - 1.0 s)</b>	Adjustable trip delay allows quick protection and system coordination
<b>Output contacts</b>	Form C ground-fault output contacts for alarming or tripping purposes
<b>Analog output (0 - 1 mA)</b>	Provides means for connecting to an optional meter (PGA-0500) or control system
<b>N-G continuity alarm</b>	Monitors neutral-to-ground integrity and alarms if ground path becomes open circuit
<b>Passive filtering</b>	Eliminates nuisance tripping

### Accessories



**PGA-0500 Analog % Current Meter**  
Optional panel-mounted analog meter displays ground-fault current as a percentage of the set-point.

### Ordering Information

ORDERING NUMBER	CONTROL POWER
PGR-4300-12	12 Vdc
PGR-4300-24	24 Vdc
PGR-4300-120	120 Vac

ACCESSORIES	REQUIREMENT
PGA-0500	Optional
PMA-55	Optional
PMA-60	Optional

Note: For optional conformal coating please consult factory.

### Specifications

<b>IEEE Device Numbers</b>	Ground Fault (50G/N, 51G/N)
<b>Input Voltage</b>	See ordering information
<b>Dimensions</b>	<b>H</b> 75 mm (3.0"); <b>W</b> 55 mm (2.2"); <b>D</b> 115 mm (4.5")
<b>Trip Level Settings</b>	100-1200 A
<b>Trip Time Delay Settings</b>	0-1.0 s
<b>Contact Operating Mode</b>	Non-fail-safe
<b>Test Button</b>	Local
<b>Reset Button</b>	Local and remote
<b>Output Contacts</b>	Form C
<b>Analog Output</b>	0-1 mA
<b>Conformally Coated</b>	Consult factory
<b>Approvals</b>	UL Listed (E183688)
<b>Warranty</b>	5 years
<b>Mounting</b>	DIN, Surface (standard) Panel (with PMA-55 or PMA-60 adapter)