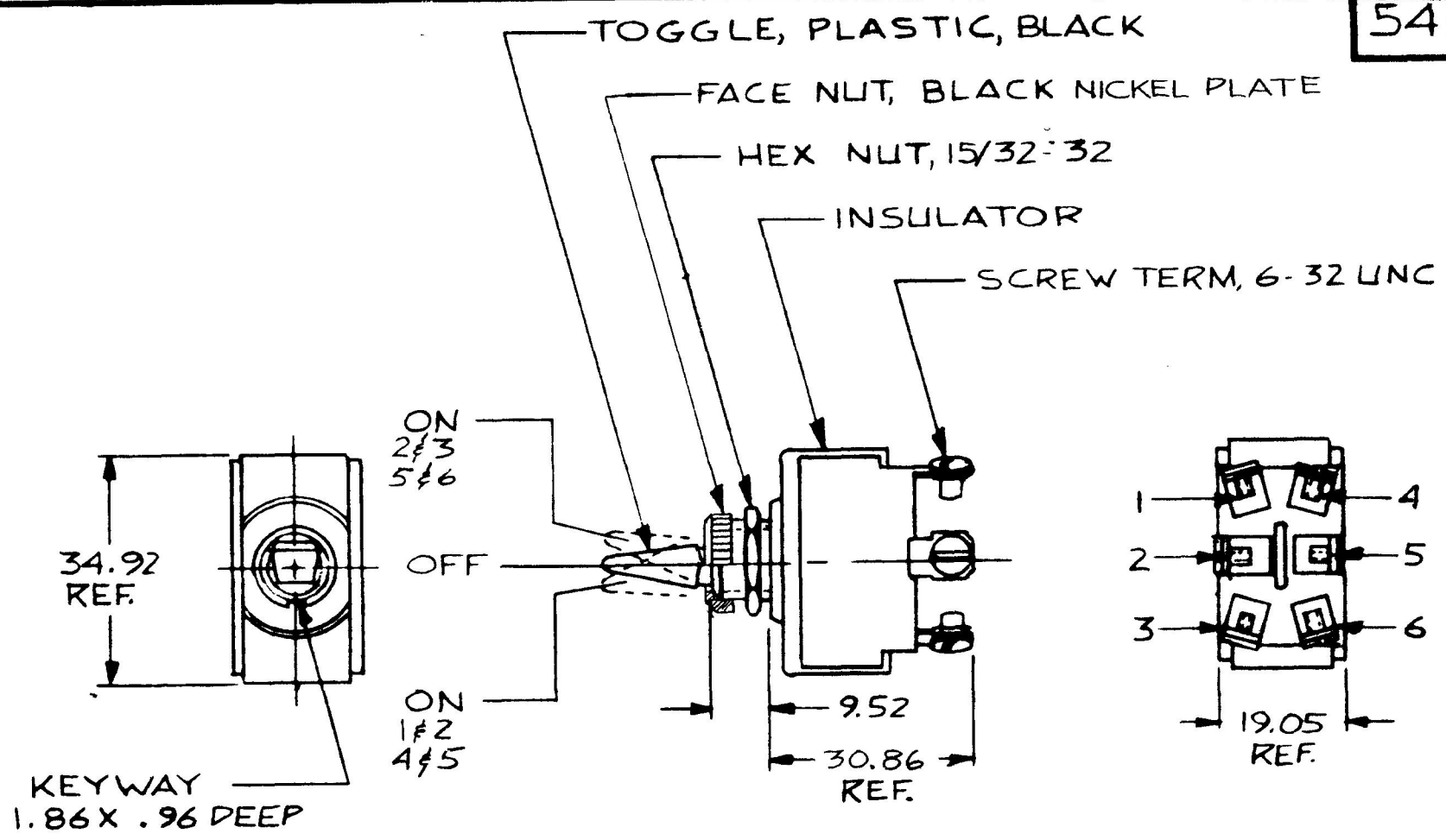


54107

IM	IN
.96	.038
.82	.072
.52	.375
10.05	.750
30.86	1.215
31.92	1.375



NOTES
 1. SILVER CONTACTS
 2. RATING: 25AMPS @12V. DC LAMP LOAD

METRIC

DO NOT SCALE

LET	WAS	DATE	BY	LET	WAS	DATE	BY	MATERIAL	DRAWN	CHECKED	APPROVED	SCALE	DATE DRAWN
								#	DPS	RJA		1:1	10-5-81
								FINISH	 Cole Hersee Co. <small>20 OLD COLONY AVENUE SOUTH DAVENPORT IA USA 52747</small>				DATE BLUEPRINT
								TOLERANCES					
								DECIMAL ±.010	D.P.D.T. TOGGLE SW.				54107
					ISSUED	11-2-81	RJP	METRIC ±.25					