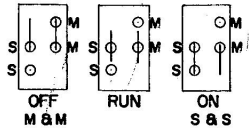
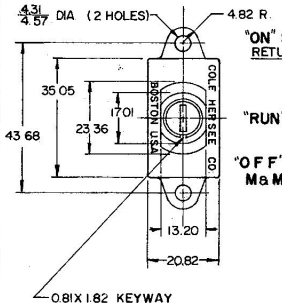
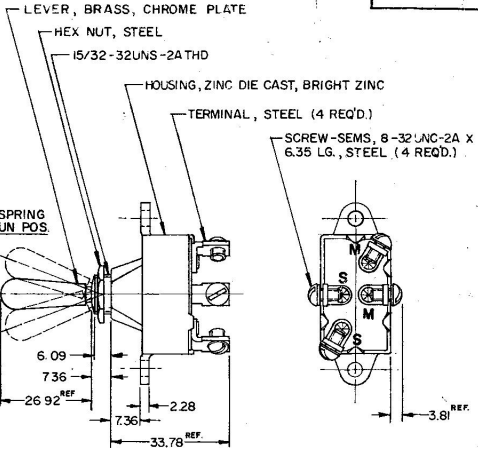


MM IN
 0.25 0.010
 0.61 0.024
 1.27 0.050
 2.28 0.090
 3.81 0.150
 5.08 0.200
 6.35 0.250
 7.62 0.300
 10.16 0.400
 12.70 0.500
 15.24 0.600
 17.78 0.700
 20.32 0.800
 22.86 0.900
 25.40 1.000
 27.94 1.100
 30.48 1.200

551862



CIRCUIT DIAGRAM



"ON" S & S - SPRING RETURN TO RUN POS.
 20° REF
 "RUN"
 20° REF
 "OFF" M & M

NOTES

1. SILVER CONTACT SURFACES.
2. MELAMINE LINER.
- ③ 3. ALL STEEL PARTS PLATED
- ④ 4. HEX NUT & SCREWS TO BE BAGGED

Confidential property of Cole Hersee

METRIC

DO NOT SCALE

LET	WAS	DATE	BY	LET	WAS	DATE	BY	MATERIAL	DRAWN	CHECKED	APPR'VD.	SCALE	DATE DRAWN
									MF	9-13-78		1:1	12-28-66
								FINISH					DATE BLUEPRINT
				G	ERN1005	1/12/01	JB						
				F	CAD OR ZINC/2523A	11/17/92	JH	TOLERANCES FRACTIONAL ± DECIMAL ± 25					
				E	REDRAWN	8-17-78	JV						
MAG - IGN. - START TOGGLE SWITCH												551862	