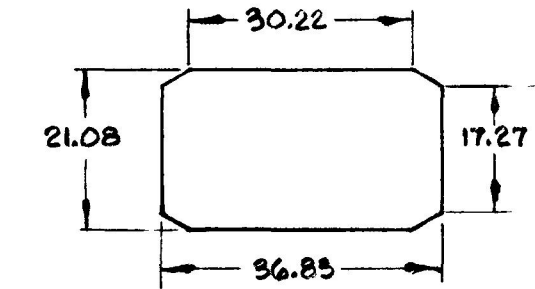


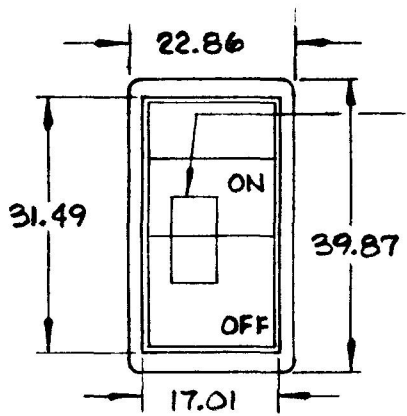
57300-11

MM. IN.  
 0.25 .010  
 2.28 .090  
 12.70 .500  
 13.71 .540  
 17.01 .670  
 17.27 .680  
 21.08 .830  
 27.94 1.100  
 30.22 1.190  
 31.49 1.240  
 36.83 1.450  
 39.87 1.570  
 22.86 .900

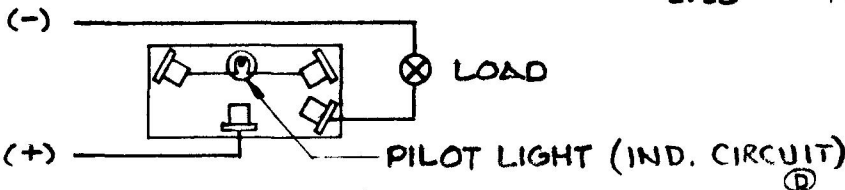
COLE-HERSEE CO.  
 NPM 10-2-73  
 EX-16801



MOUNTING HOLE DETAIL

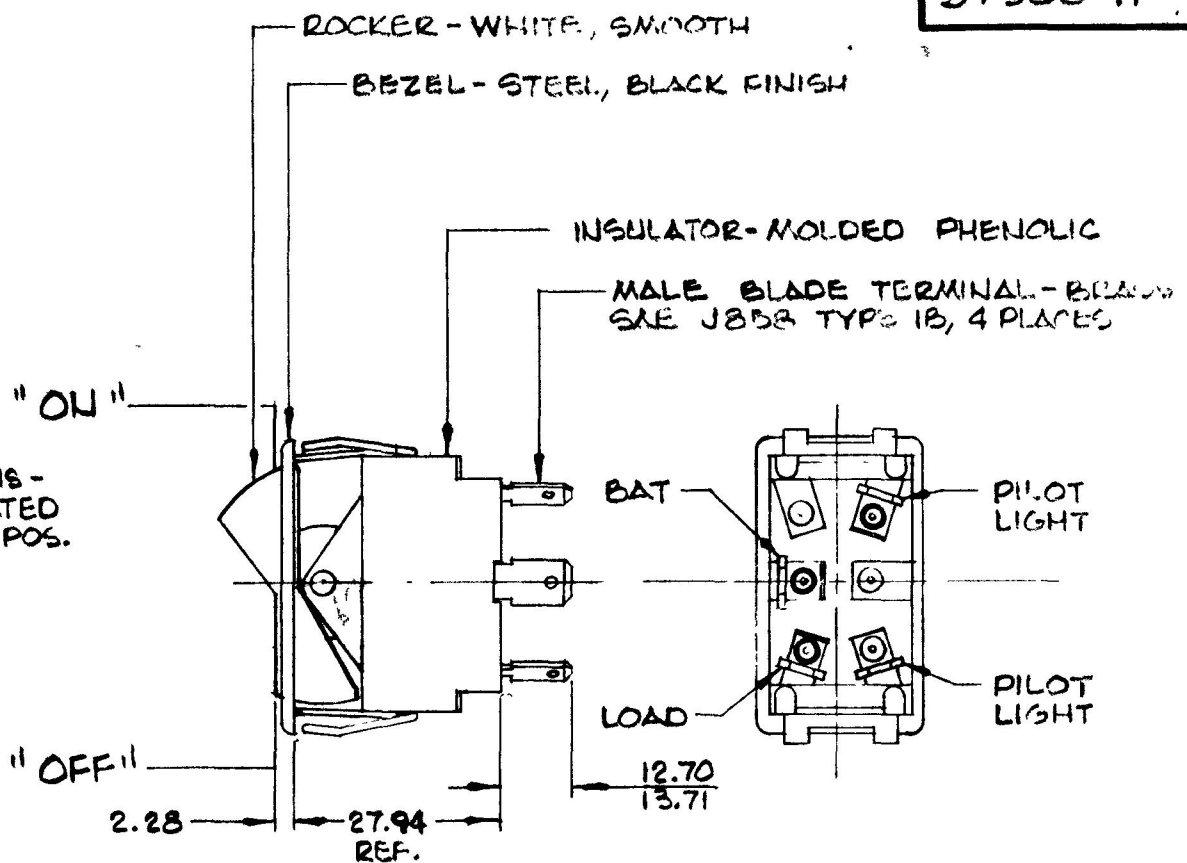


RED LENS - ILLUMINATED IN "ON" POS.



CIRCUIT DIAGRAM

METRIC



- NOTES:
1. SILVER CONTACT RIVETS AND SILVER CONTACT PAD.
  2. 25 AMPS @ 12 VDC LAMP LOAD.
  3. HEAVY DUTY

DO NOT SCALE

LET	WAS	DATE	BY	LET	WAS	DATE	BY	MATERIAL	DRAWN	CHECKED	APPR'D	SCALE	DATE DRAWN
								— II —	S.E.	1/12		1:1	9-26-73
								FINISH	<b>COLE-HERSEE COMPANY</b> BOSTON, MASS. 02127, U.S.A.				DATE BLUEPRINT
							— II —						
				D	ALSO IND. CIRCUIT	7-2-82	WJF	TOLERANCES	<b>ROCKER SWITCH</b>				57300-11
				C	RELAYAN METRIC	6-18-76	KG	FRACTIONAL ±					
								DECIMAL ±0.25					