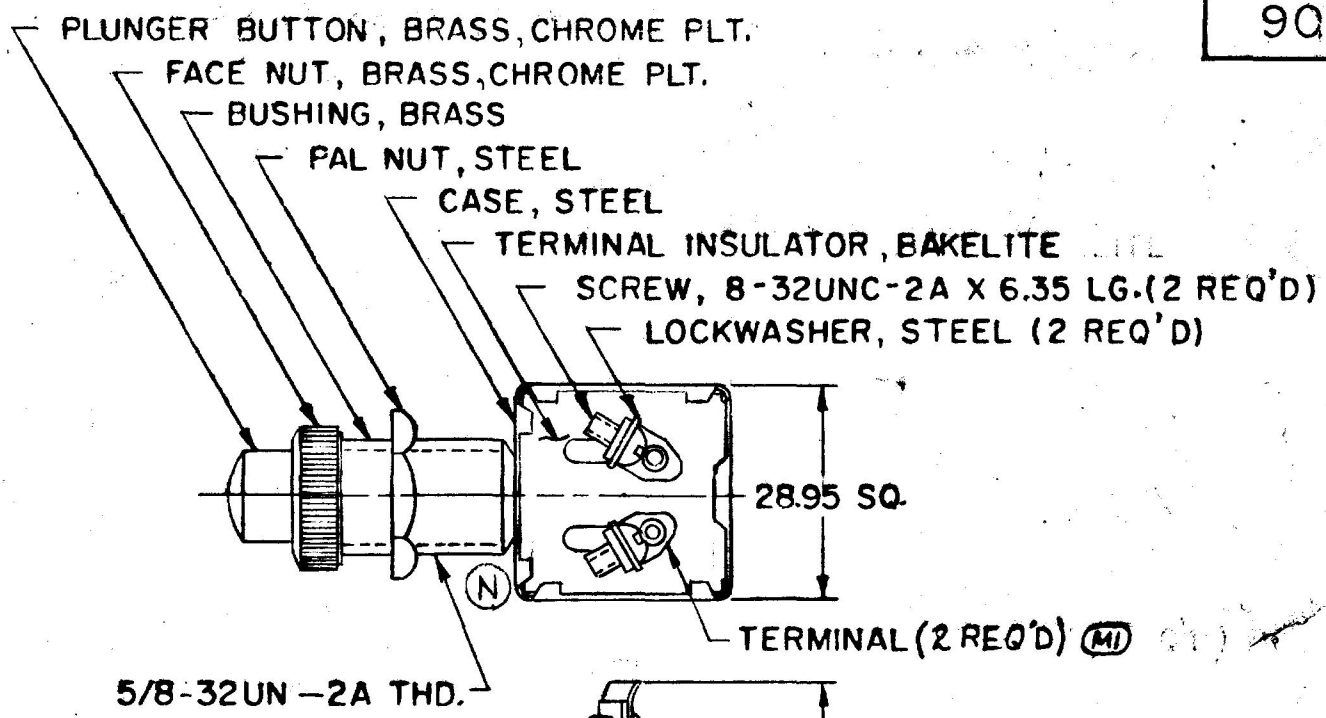
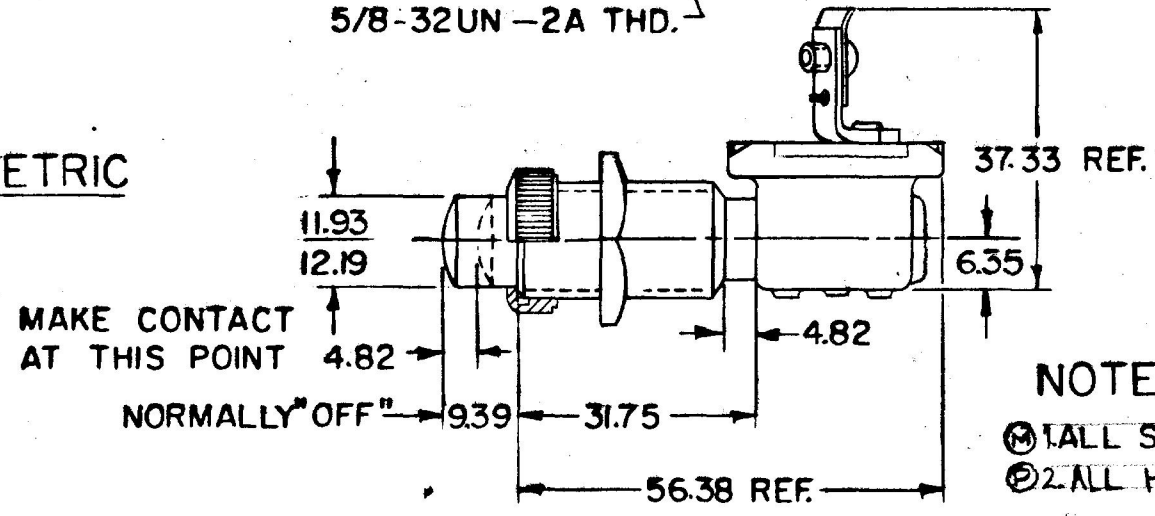


MM. IN.
 2.5 0.10
 3.2 0.125
 3.5 0.138
 3.9 0.154
 4.3 0.170
 4.7 0.187
 5.1 0.201
 5.5 0.217
 5.9 0.232
 6.3 0.248
 6.7 0.264
 7.1 0.279
 7.5 0.295
 7.9 0.311
 8.3 0.327
 8.7 0.343
 9.1 0.358
 9.5 0.375
 9.9 0.391
 10.3 0.407
 10.7 0.423
 11.1 0.438
 11.5 0.455
 11.9 0.471
 12.3 0.486

9044



METRIC



SIMILAR TO #9033 EXCEPT WITH #8304 FACE NUT

10 AMPS @ 12V DC

DO NOT SCALE

LET	WAS	DATE	BY	LET	WAS	DATE	BY	MATERIAL	DRAWN	CHECKED	APPR'D.	SCALE	DATE DRAWN
								—	R	G		1:1	9-18-46
				P	ECN # 99173	5/13/49	RF	FINISH					DATE BLUEPRINT
				N	ECN # 27104 HAM CUTOUT S	2/23/78	MP						
				M	STEEL CABLER RINC 25234	6/1/92	LH	TOLERANCES					
				L	REDRAWN	9-25-78	VK	FRACTIONAL ± DECIMAL ±0.25	STARTER SWITCH ASS'Y				9044

CH Cole Hersee Co.
 20 OLD COLONY AVENUE, SOUTH BOSTON, MA. U.S.A. 02127

CH-188 (4-78)