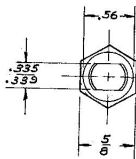
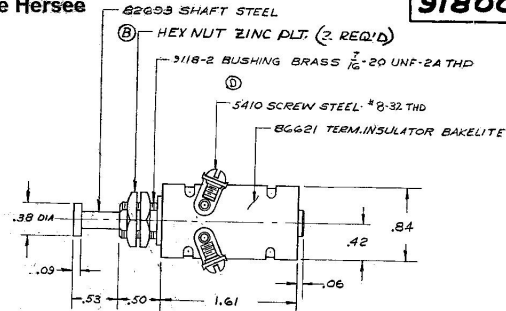


WAS EX-13089



PUSH-PULL FROM  
 "ON" TO "OFF"

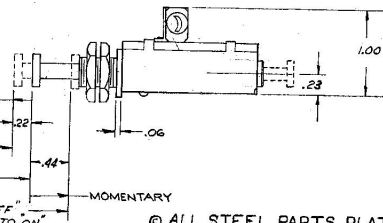
"OFF"

NORMALLY "ON"

"OFF"

MOMENTARY

SPRING RETURN TO "ON"  
 POSITION



© ALL STEEL PARTS PLATED

LET	WAS	DATE	BY	LET	WAS	DATE	BY	MATERIAL	GRADE	CHECKER	APPR'D	SCALE	USED ON	DATE DRAWN		
									E.A.	CB		FULL		7-18-61		
				D	NOTE	01/01	2/10/61	SA								
				C	NOTE	05239	6/24/70	J.H.								
				R	REV	20975	10-10-80	C								
				N	ISSUED		8-7-61	B								
FINISH									TOLERANCES FRACTIONAL ±.015 DECIMAL ±.010					NAME <b>COLE-HERSEE COMPANY</b> BOSTON 27, MASS., U. S. A.		DATE ISSUED
									NAME <b>COMB. PUSH-PULL MOMENTARY</b> <b>DOOR SWITCH</b>					PART NO. <b>91800</b>		