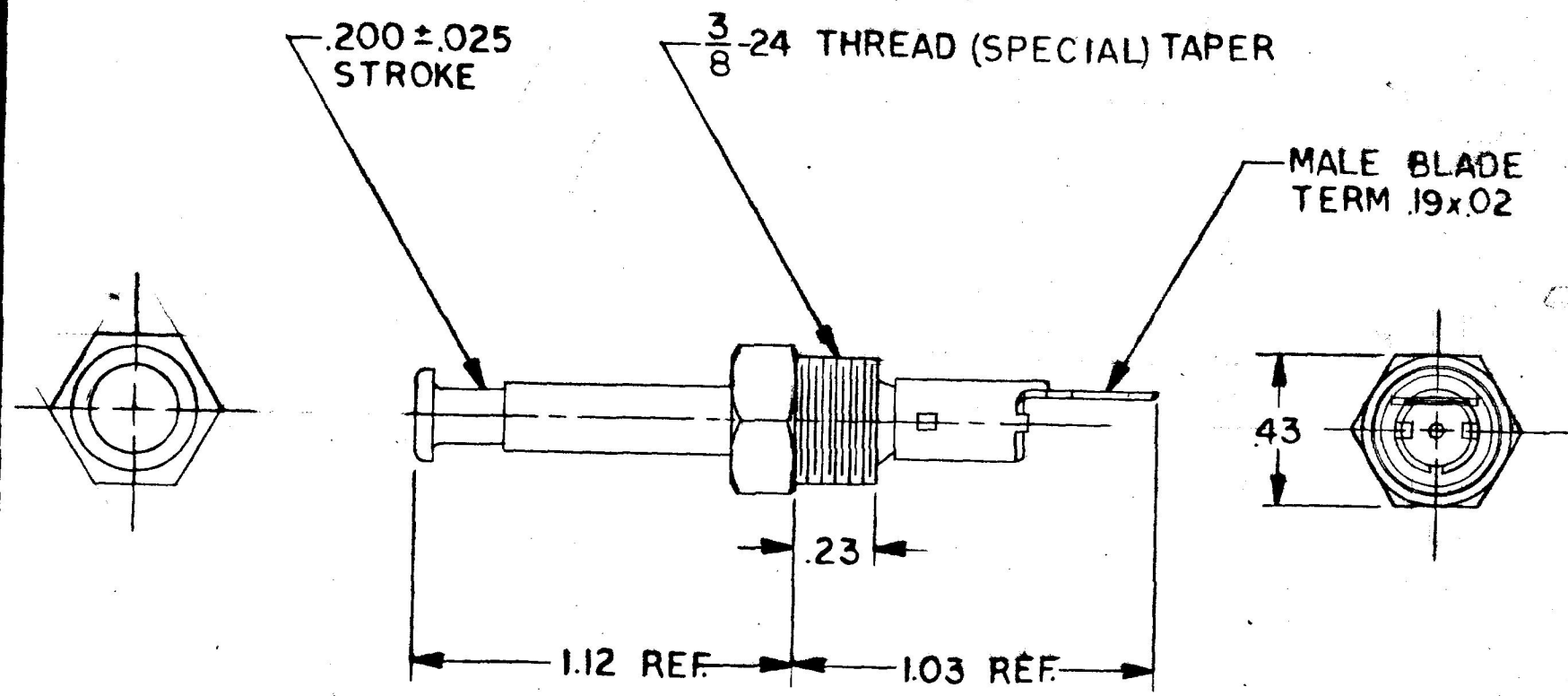


91822

COLE-HERSEE CO.



3A @ 12VDC

LET	WAS	DATE	BY	LET	WAS	DATE	BY	MATERIAL	DRAWN	CHECKED	APPR'VD.	SCALE	DO NOT SCALE
								—H—	R.B.	19 MAR 73		2x	DATE DRAWN 3-13-73
								FINISH —H—	COLE-HERSEE COMPANY BOSTON, MASS. 02127, U.S.A.				DATE BLUEPRINT
								TOLERANCES FRACTIONAL ± DECIMAL ±.01	DOOR JAMB SWITCH				91822
								ISSUED	3-22-73				

SPAULDING CO., INC. 47570