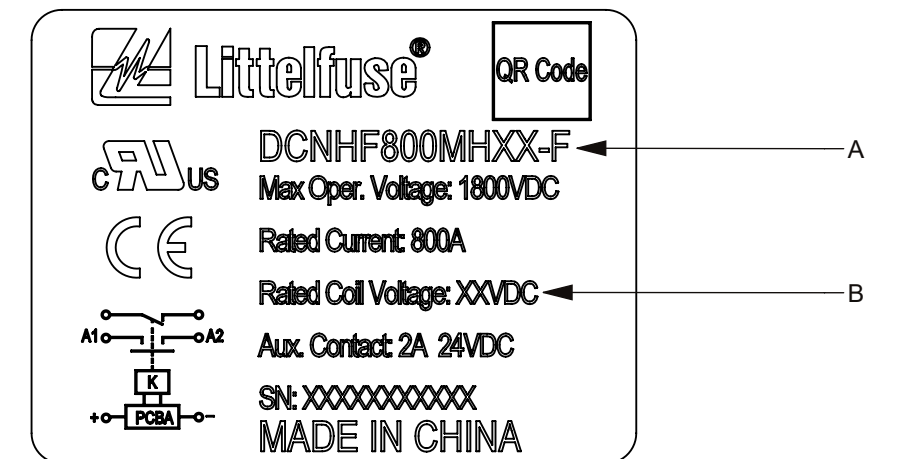
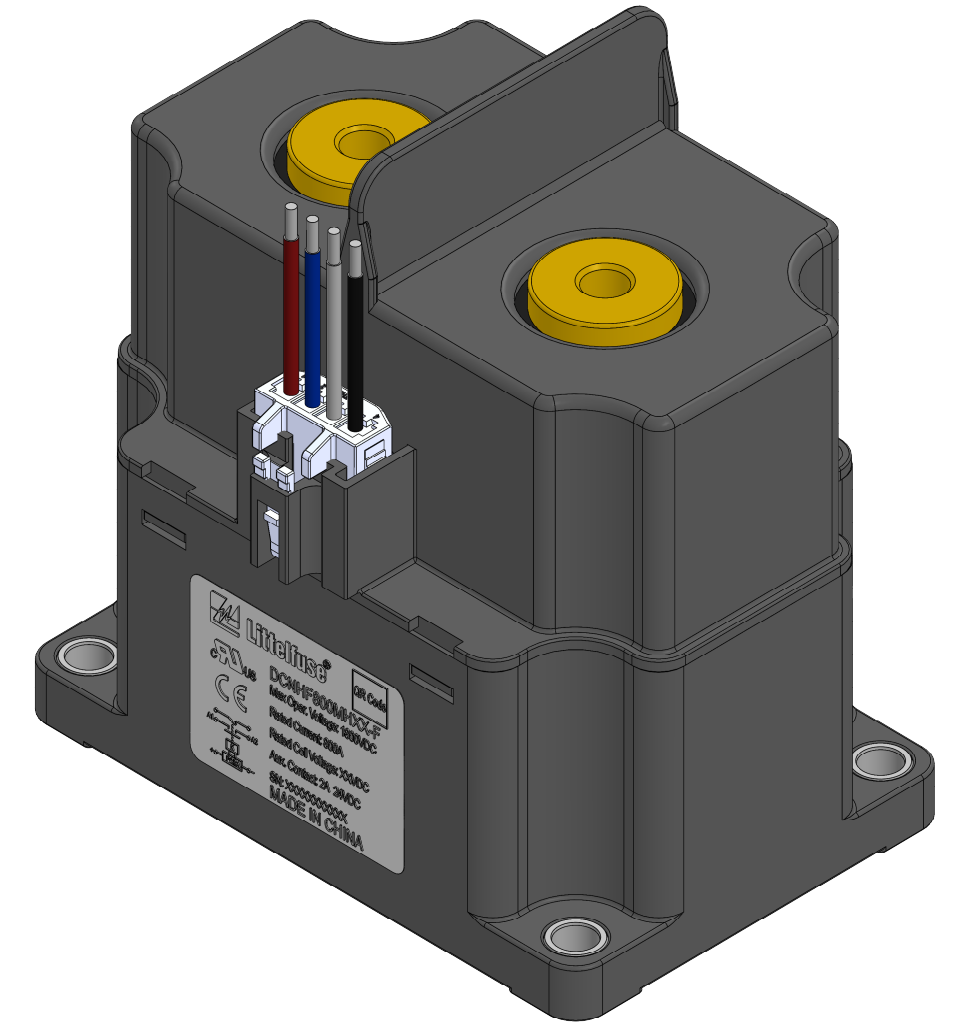
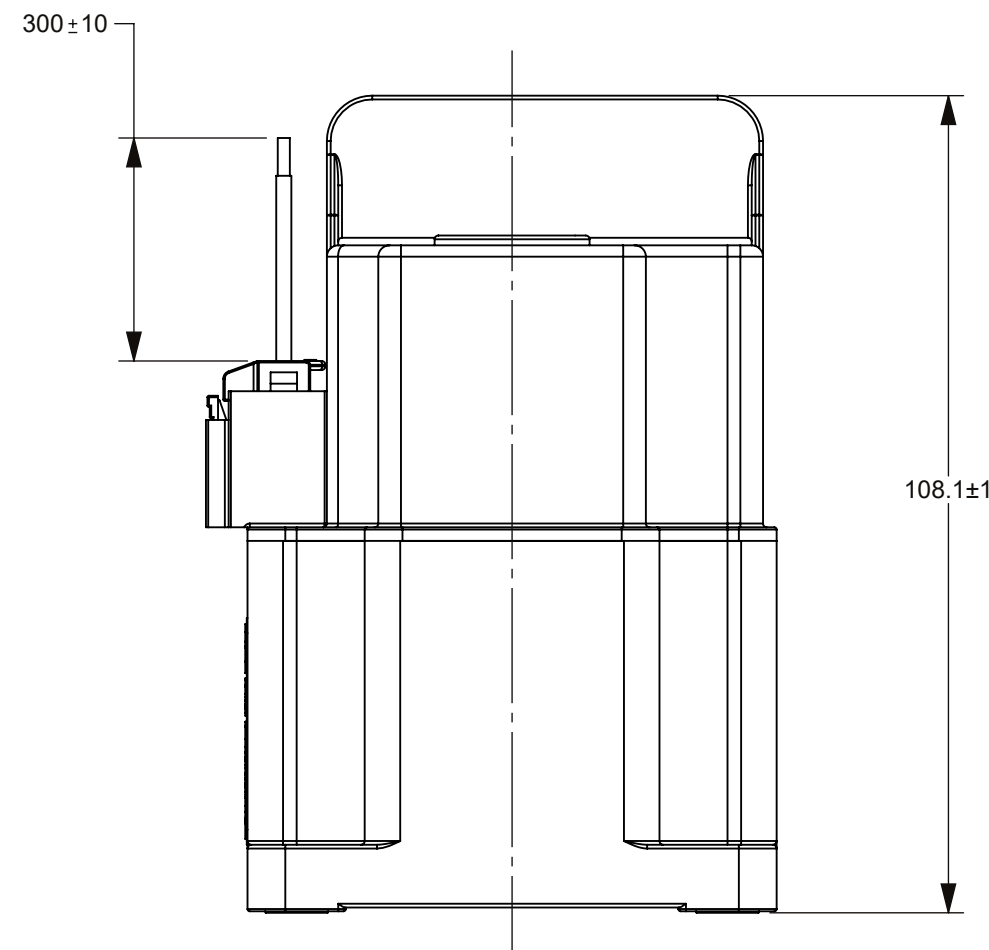
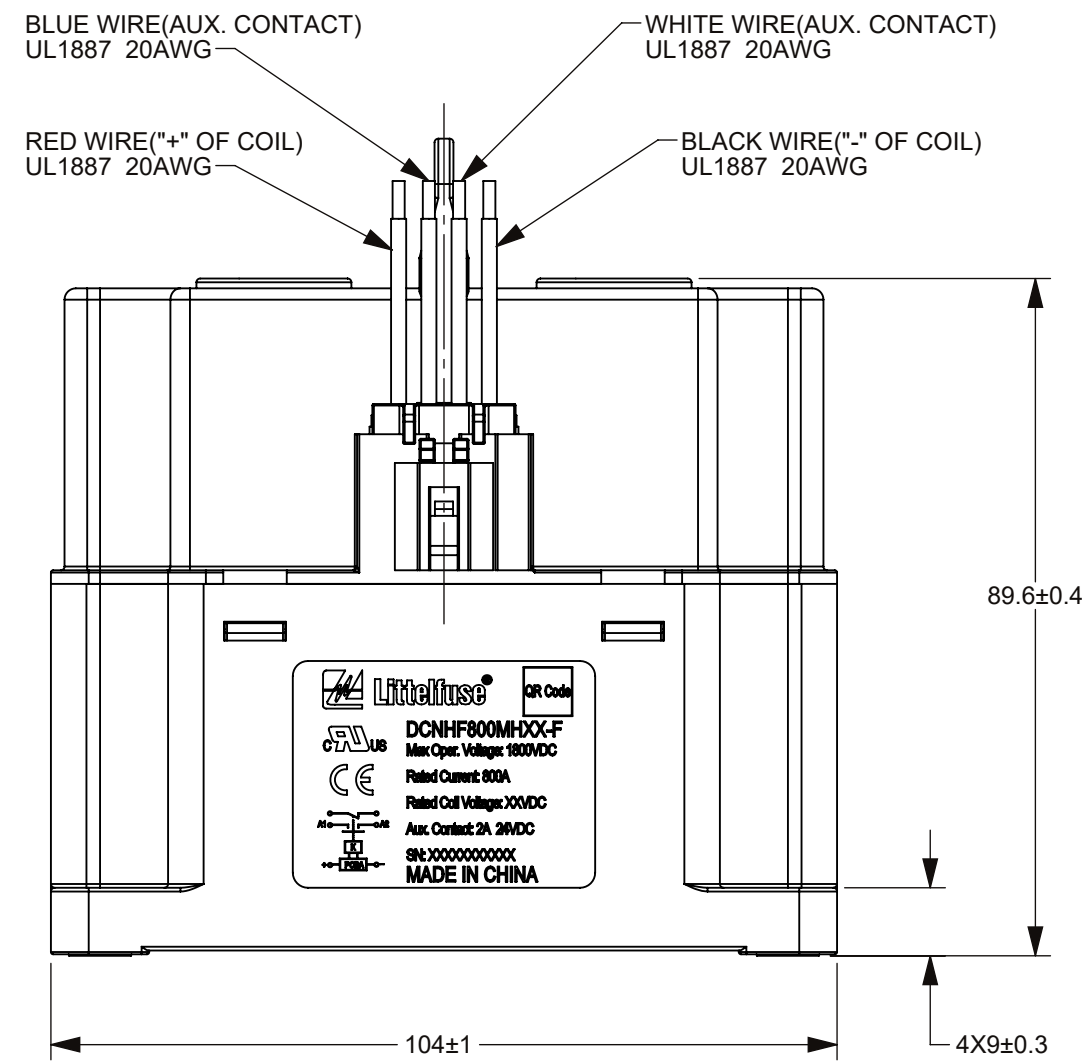
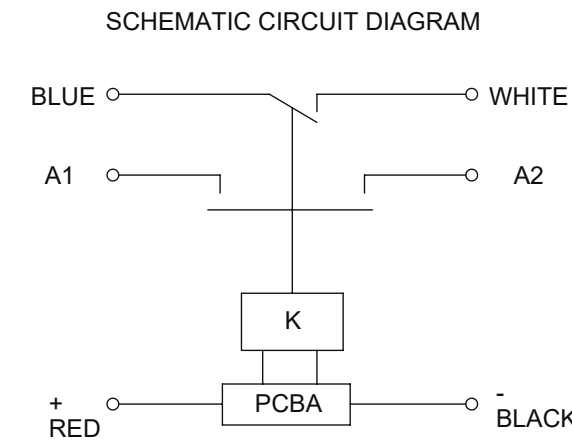
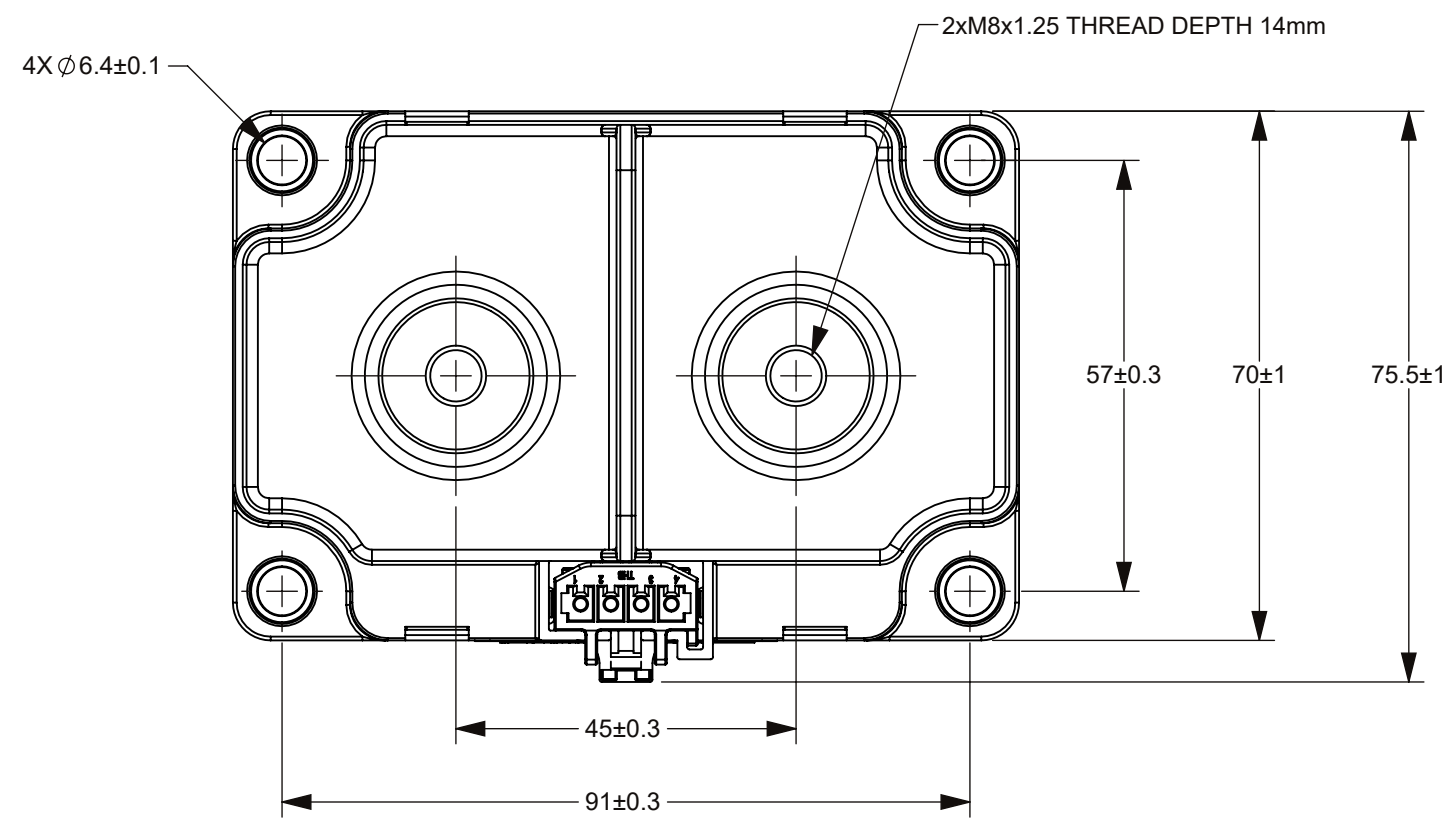


THIS DRAWING AND THE INFORMATION CONTAINED WITHIN IT ARE CONFIDENTIAL AND MAY NOT BE COPIED OR DISCLOSED WITHOUT THE WRITTEN PERMISSION OF LITTELFUSE.

REVISIONS				
ZONE	REV.	DESCRIPTION	DATE	APPROVED
	A	PCO-50000301378 INITIAL RELEASE	JUN./03/2025	D. ZHANG



VIEW 1  
SCALE 2:1

TABLE 1

PART NUMBER	DCNHF800MH12-F	DCNHF800MH24-F	
Max. SWITCHING VOLTAGE	1,800V DC		
RATED CONTACT CURRENT	800A		
OPERATING VOLTAGE IN COLD STATE @ 25°C	COIL VOLTAGE	12V DC	24V DC
	MAX. VOLTAGE	16V DC	32V DC
	COIL POWER	Starting:50W(0.3s connection) ;Holding:5W	
	PICK-UP	≤8V	≤16V
	DROP-OUT	≥1.2V	≥2.4V
MAIN CONTACT RESISTANCE	≤0.2mΩ@800A		
INSULATION RESISTANCE @ 1,000 VDC (INITIAL)	≥1,000MΩ		
DIELECTRIC STRENGTH	Between open contacts	4,000V AC, 1 MINUTE, LEAKAGE CURRENT≤1 mA	
	Between contacts and coil	4,000V AC, 1 MINUTE, LEAKAGE CURRENT≤1 mA	
MAX BREAK CAPABILITY	2,000A@1000V DC, 1CYCLE		
ELECTRIC LIFE (RESISTIVE LOAD)	300 CYCLES (800A @ 1,000V DC), ONLY BREAK		
	20 CYCLES (800A @ 1500V DC), ONLY BREAK		
	6000 CYCLES (100A @ 1800V DC)		
MECHANICAL LIFE (NO LOAD, CYCLES)	200,000		

TABLE 2

NO.	"A"	"B"	REMARK
1	DCNHF800MH12-F	12VDC	NAMEPLATE(VIEW1)
2	DCNHF800MH24-F	24VDC	

NOTES:

- ALL DIMENSIONS ARE REFERENCE ONLY.
- SEE TABLE 2 FOR NAME PLATE AND PN's.
- PRODUCT TYPE: SPST-NO, NON-POLAR CONTACTOR WITH AUXILIARY CONTACT; AUXILIARY TYPE: SPST-NO.
- MATERIALS AND FINISH:
  - HOUSING: THERMOPLASTIC PLASTICS.
  - CONTACTS: COPPER ALLOY.
  - CONTACT STUDS: PURE COPPER.
- WEIGHT: ABOUT 1100GRAMS.
- MAIN CONTACT M8 STUD, TORQUE: 12~15N·m.
- MOUNTING: M5 BOLT, RECOMMENDED TORQUE 3 N·m ~ 4 N·m.
- RoHS COMPLIANT.
- THE COIL OF THE CONTACTOR IS POLAR, SO THE CONNECTION OF THE COIL AND CONTACT SHOULD BE OPERATED ACCORDING TO THE SCHEMATIC CIRCUIT DIAGRAM.

DIMENSIONS ARE SHOWN IN MILLIMETERS. DIMENSIONS AND TOLERANCES ARE DEFINED ACCORDING TO ANSI/ASME Y14.5-1994.	
●	FTI / FUNCTION CRITICAL CHARACTERISTICS
<S>	SAFETY / COMPLIANCE CRITICAL CHARACTERISTICS SYMBOL
CPK	DENOTES CPK DIMENSIONS MINIMUM CPK VALUE
(ST)	DENOTES A CHARACTERISTIC THAT PROVIDES AN INDICATION OF PROCESS PERFORMANCE PROCEDURE FOR MEASUREMENT AND TRACKING TO BE DEFINED IN LITTELFUSE INSPECTION INSTRUCTIONS
CP	DENOTES CP DIMENSIONS. MINIMUM CP VALUE MUST BE WITHIN THE DIMENSIONAL LIMITATIONS SHOWN ON DRAWING AND INITIALLY LOCATED TO ALLOW FOR MAXIMUM TOOL LIFE
NAME	DATE
DRAWN V. ZHANG	JUN. 03/2025
CHECKED JY. SHI	JUN. 03/2025
Littelfuse Expertise Applied   Answers Delivered	
TITLE DCNHF 800A NON-POLAR CONTACTOR WITH AUXILIARY	
FORM NO. CVP-PE40-0005 REV B	THIRD ANGLE PROJECTION
SIZE C	DWG. NO. OL-DCNHF800MHXX-F.CHT
DO NOT SCALE DRAWING	SCALE 1:1
	REV. A
	SHEET 1 OF 1