

# Surface Mount Fuse Slow Blow

**PRODUCT: 1206SFS100F/63**

DOCUMENT: SCD26325  
PCN: D23319-000  
REV LETTER: E  
REV DATE: JULY 26, 2016  
PAGE NO.: 1 OF 1

## Specification Status: Released

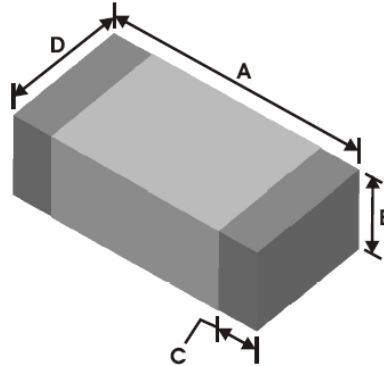
### Max Electrical Rating at 25°C

**Max Voltage: 63V<sub>DC</sub>**  
**Max Interrupt Current: 50A**

Termination Material: Silver, Nickel, Tin

Fuse Element: Silver

Body Material: Glass Ceramic



**TABLE I. DIMENSIONS:**

	A		B		C		D	
	MIN	MAX	MIN	MAX	MIN	MAX	MIN	MAX
mm:	3.00	3.40	0.77	1.17	0.26	0.76	1.40	1.80
in:	(0.118)	(0.134)	(0.030)	(0.046)	(0.010)	(0.030)	(0.055)	(0.071)

**TABLE II. PERFORMANCE RATINGS @ 25°C (unless otherwise noted):**

RATED CURRENT (A)	NOMINAL COLD DCR (Ω)*	CLEAR TIME @				OPERATING TEMPERATURE	
		100% of rated current	200% of rated current	300% of rated current	800% of rated current	MIN	MAX
1.0	0.36	4 hours min	120 seconds max	3 seconds max	0.05 seconds max	-55	125

\* Measured at 10% of rated current and 25°C

Agency Recognition: UL E197536  
Precedence: This specification takes precedence over documents referenced herein.  
Effectivity: Reference documents shall be the issue in effect on the date of invitation for bid.

### Materials Information

**ROHS Compliant**

Directive 2002/95/EC  
Compliant

**ELV Compliant**

Directive 2000/53/EC  
Compliant

Littelfuse products are not designed for, and shall not be used for, any purpose (including, without limitation, automotive, military, aerospace, medical, life-saving, life-sustaining, nuclear facility applications, devices intended for surgical implant into the body, or any other application in which the failure or lack of desired operation of the product may result in personal injury, death, or property damage) other than those expressly set forth in applicable Littelfuse product documentation. Warranties granted by Littelfuse shall be deemed void for products used for any purpose not expressly set forth in applicable Littelfuse documentation. Littelfuse shall not be liable for any claims or damages arising out of products used in applications not expressly intended by Littelfuse as set forth in applicable Littelfuse documentation. The sale and use of Littelfuse products is subject to Littelfuse Terms and Conditions of Sale, unless otherwise agreed by Littelfuse.