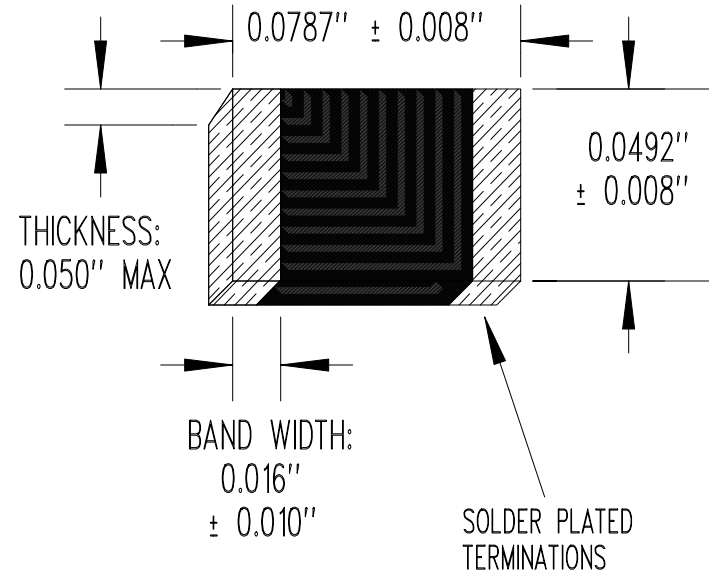


RESISTANCE/TEMPERATURE TABLE			
TEMP (°C)	RESIS (Ω)	TEMP (°C)	RESIS (Ω)
-40	1,751,230	45	21,122
-35	1,265,506	50	17,278
-30	923,946	55	14,209
-25	681,159	60	11,745
-20	506,809	65	9,755
-15	380,388	70	8,140
-10	287,873	75	6,824
-5	219,579	80	5,744
0	168,742	85	4,856
5	130,602	90	4,124
10	101,769	95	3,516
15	79,817	100	3,009
20	62,987	105	2,585
25	50,000	110	2,228
30	39,938	115	1,928
35	32,104	120	1,673
40	25,965	125	1,456



RESISTANCE @ +25°C = 50,000 Ω ± 5%
 BETA "β" (+25 TO +85°C) = 4,150°K NOMINAL
 POWER RATING = 240 mW
 OPERATING TEMPERATURE RANGE = -40 TO +125°C

SEE MANUFACTURING SPECIFICATION (LAYER 1)

A	POWER RATING WAS 300 mW	09/14/17	MW
NONE	RELEASE TO PRODUCTION	02/26/04	DD
REV	REVISION RECORD	DATE	APP

SCALE NONE	U.S. SENSOR CORP. 1832 W. COLL INS AVE. ORANGE, CA. 92867 714-639-1000 www.ussensor.com
DRAWN BY DAN DANKERT	
DATE 02/26/04	
REV. A	
LAYER 0 OF 2	THERMISTOR, NTC CHIP P/N KR503LOJ