

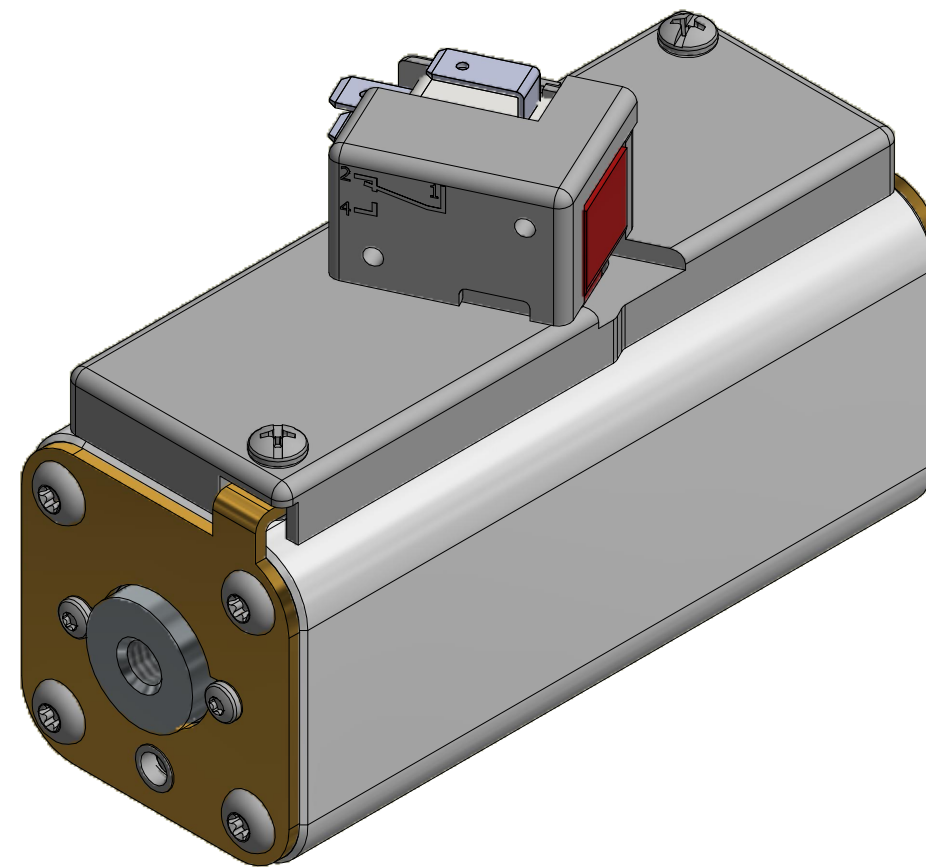
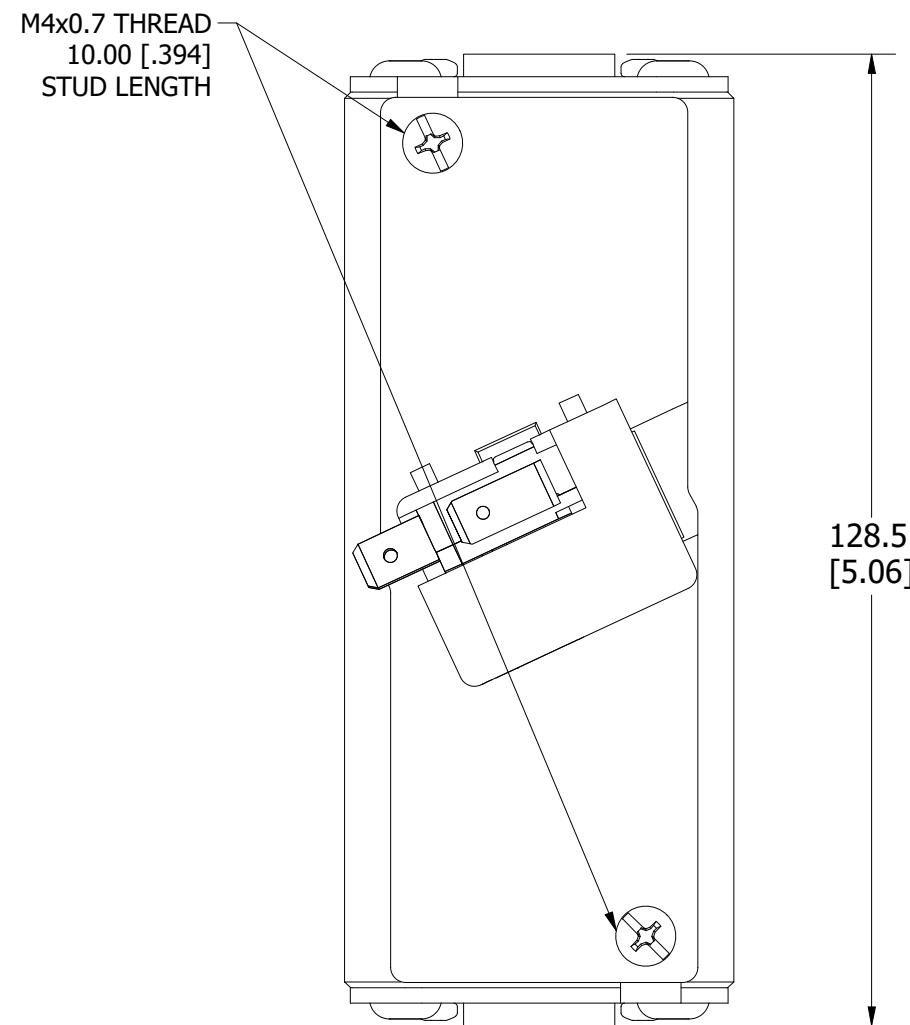
**MOUNTING SPECS:**

STUD SIZE: M8 x 1.25 - 6H  $\varnothing$  8.0 [0.31]

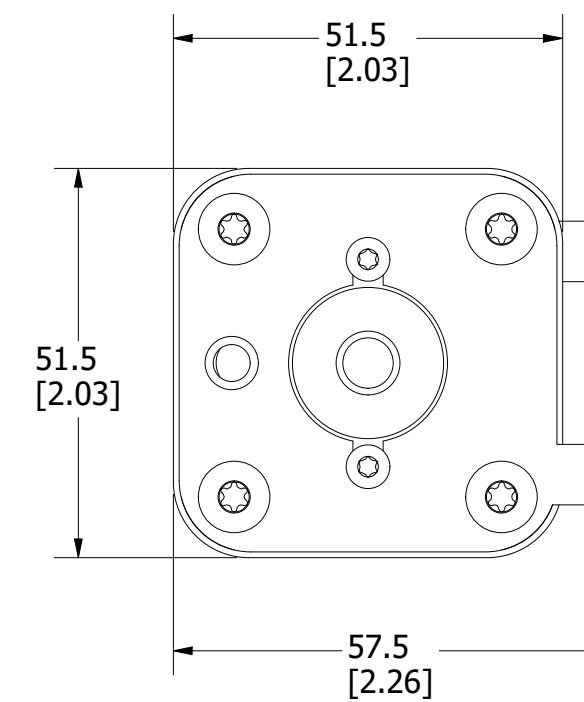
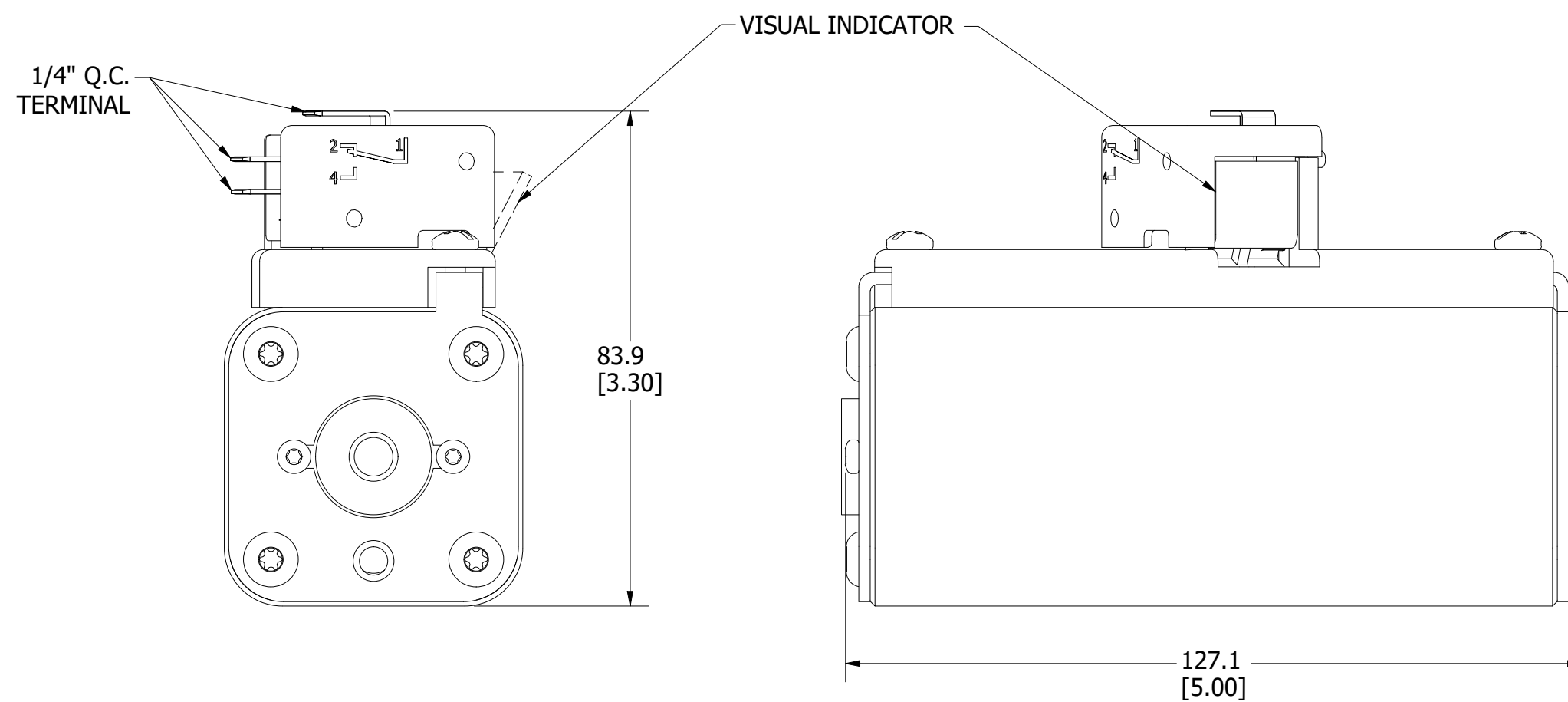
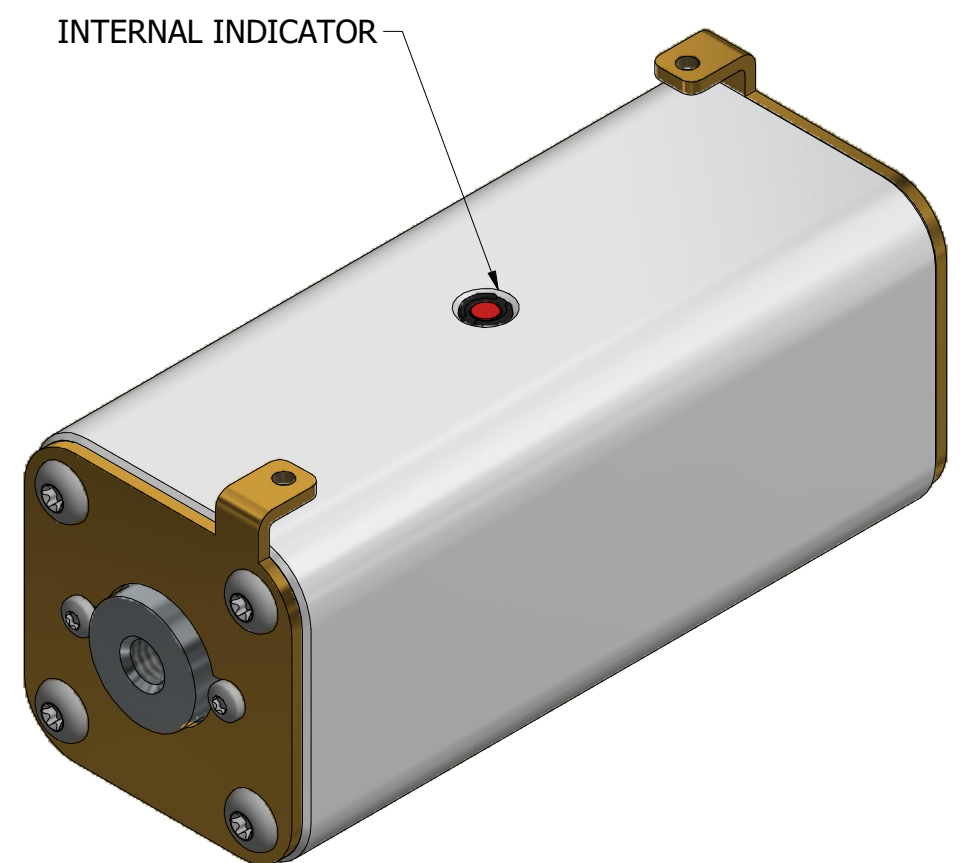
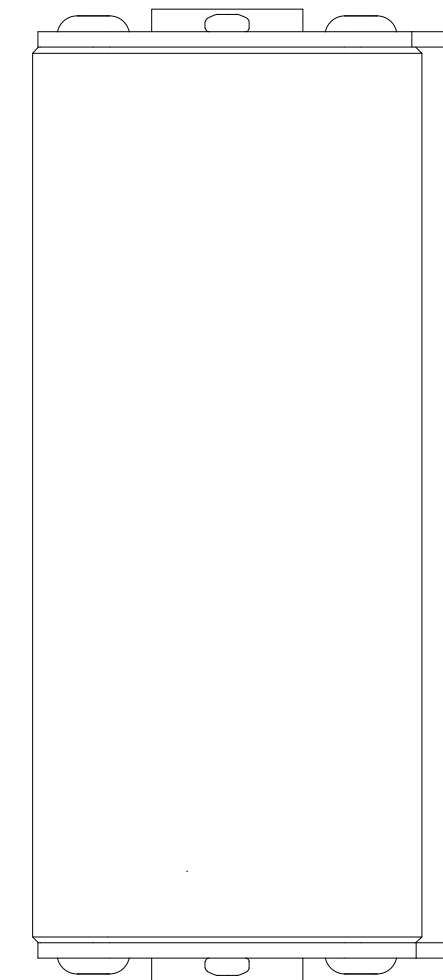
STUD TORQUE (REFERENCE ONLY): 13 - 20 Nm

REVISION		
REV	DATE	DESCRIPTION
A	4/20/20	522234GCP - RELEASE MRY
B	10/25/23	526838ECP/D - ADD VIEW W/O MICROSWITCH MRY

**FUSE WITH MICROSWITCH**



**FUSE**



**FUSE WITH MICROSWITCH**

FOR REFERENCE ONLY

<S>	CRITICAL CHARACTERISTIC FOR PART SAFETY/COMPLIANCE
●	DENOTES CRITICAL CHARACTERISTICS.
CPK	DENOTES CPK DIMENSIONS, -MINIMUM CPK VALUE
ST	DENOTES A CHARACTERISTIC THAT PROVIDES AN INDICATION OF PROCESS PERFORMANCE. PROCEDURE FOR MEASUREMENT AND TRACKING TO BE DEFINED IN LITTELFUSE INSPECTION INSTRUCTIONS.
CP	DENOTES CP DIMENSIONS, -MINIMUM CP VALUE MUST BE WITHIN THE DIMENSIONAL LIMITATIONS SHOWN ON DRAWING AND INITIALLY LOCATED TO ALLOW FOR MAXIMUM TOOL LIFE.

MATL SPEC	FINISH		
DRW myork	DATE 4/14/2020	SCALE NTS	FINISH GOOD WT GRAMS/PIECE

UNLESS OTHERWISE SPECIFIED, DIMENSIONS ARE IN MILLIMETERS, DIMENSIONS IN BRACKETS [ ] ARE INCHES DIMENSIONING AND DO NOT INCLUDE PLATING. TOLERANCING TO BE INTERPRETED IN ACCORDANCE WITH ANSI Y14.5M-1994

3RD ANGLE PROJECTION	
----------------------	--

TITLE PSX SIZE 1XL FLUSH MOUNT (FL) FUSE OUTLINE

<b>Littelfuse</b> CHICAGO, ILLINOIS 60631	REVISION B	DRWG NO. OL-PSX1XLFL0000	SHEET 1 OF 1
--	------------	--------------------------	--------------