

# APL Series

## Lock Pushbutton Switches



### Description

APL lock pushbutton switches can be applied to a variety of different industries, from medical to industrial to transportation, especially for safety and reliability requirements. With a long lifecycle and IP67 protection from the toughest environmental conditions, the APL switches can simplify the control design while ensuring safety through mechanical locking. It can also help reduce power consumption.

### Features & Benefits

- IP67 sealed
- 1,000,000 life cycle
- Illumination / Non-illumination
- Threaded or snap-in mounting
- RoHS compliant

### Applications

- Harsh environments
- Off-Road
- Industrial
- Medical
- Transportation

### Specifications

<b>Function</b>	SPST
<b>Contact Arrangement</b>	N.O.
<b>Mounting Type</b>	Snap-in (no panel seal) Threaded body (hex nut, lock washer, and panel seal gasket provided) Torque spec for threaded body: Do not exceed 8-9 in-lbs (0.9-1.0 N.m)

### Mechanical Specifications

<b>Operating Life</b>	1,000,000 cycles
<b>Total Travel</b>	2.5 ± 0.25 mm
<b>Operating Point</b>	1.7 mm
<b>Operating Force</b>	Max 8N

### Electrical Specifications

<b>Contact Rating</b>	100mA @ 24 V DC resistive (200,000 cycles)
<b>Dielectric Strength</b>	1,000 V AC min.
<b>Insulation Resistance</b>	1000 MΩ min
<b>Initial Contact Resistance</b>	50 mΩ max
<b>Bounce Time</b>	Max 10 ms during activation
<b>Operating Temperature</b>	-30°C to 85°C
<b>Sealing</b>	IP67

### Materials

<b>Housing</b>	
<b>Base</b>	PA66
<b>Cap</b>	
<b>Spring</b>	Steel
<b>Terminals</b>	
<b>Movable Contact</b>	Brass, gold over silver plating
<b>Terminal Seal</b>	Epoxy

#### Notes:

Specifications and materials listed above are for switches with standard options. For information on specific and custom switches, please contact Customer Service.

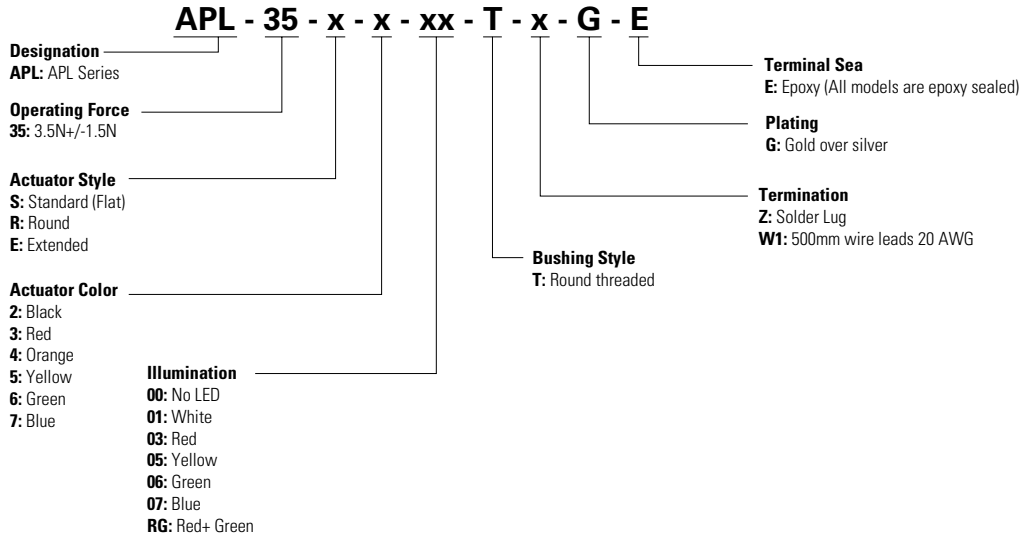
# APL Series

## Lock Pushbutton Switches



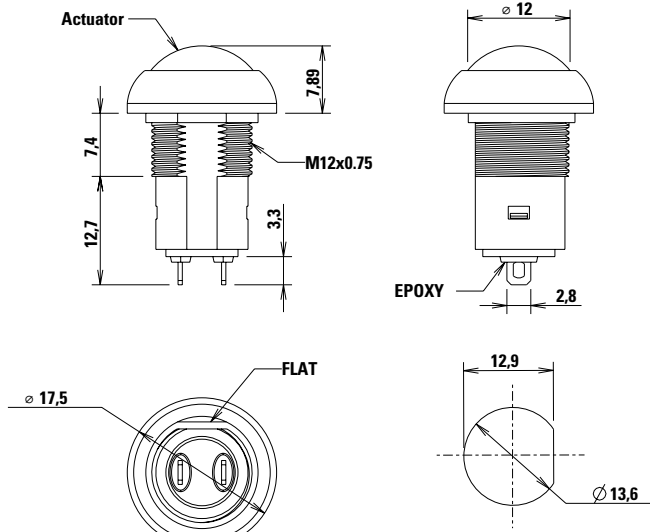
### Ordering Number

To order, simply select desired option from each category and place in the appropriate box.

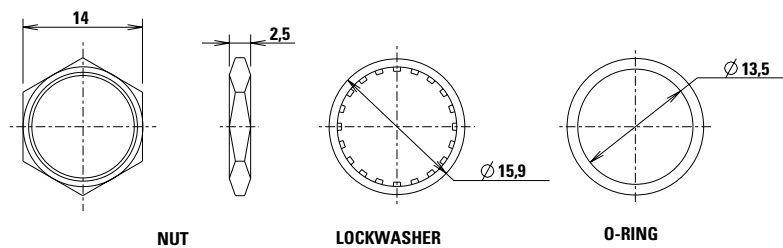


### APL Drawings & Dimensions (mm)

WITHOUT LED TYPE



Panel Mounting

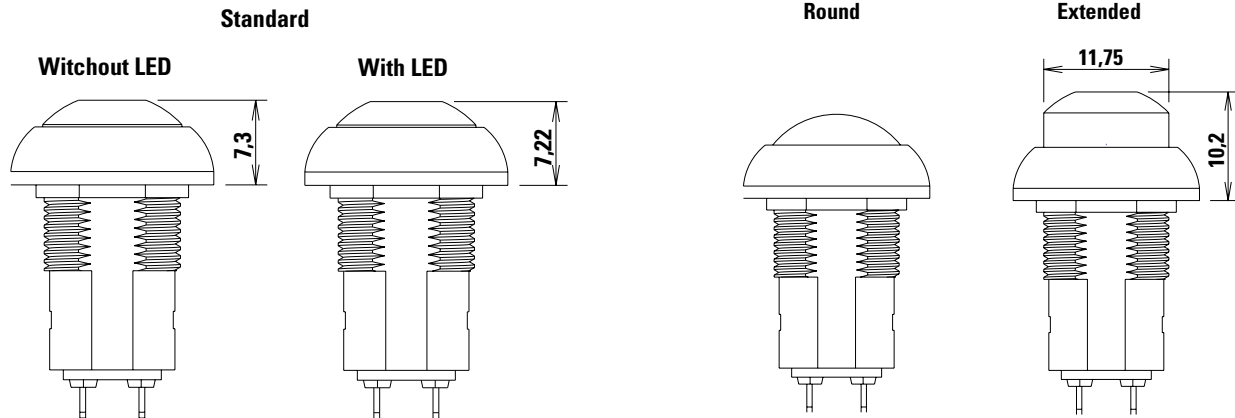


# APL Series

## Lock Pushbutton Switches

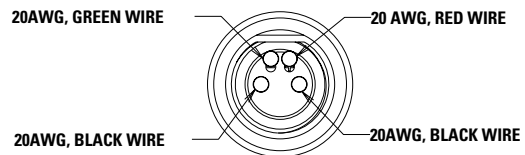
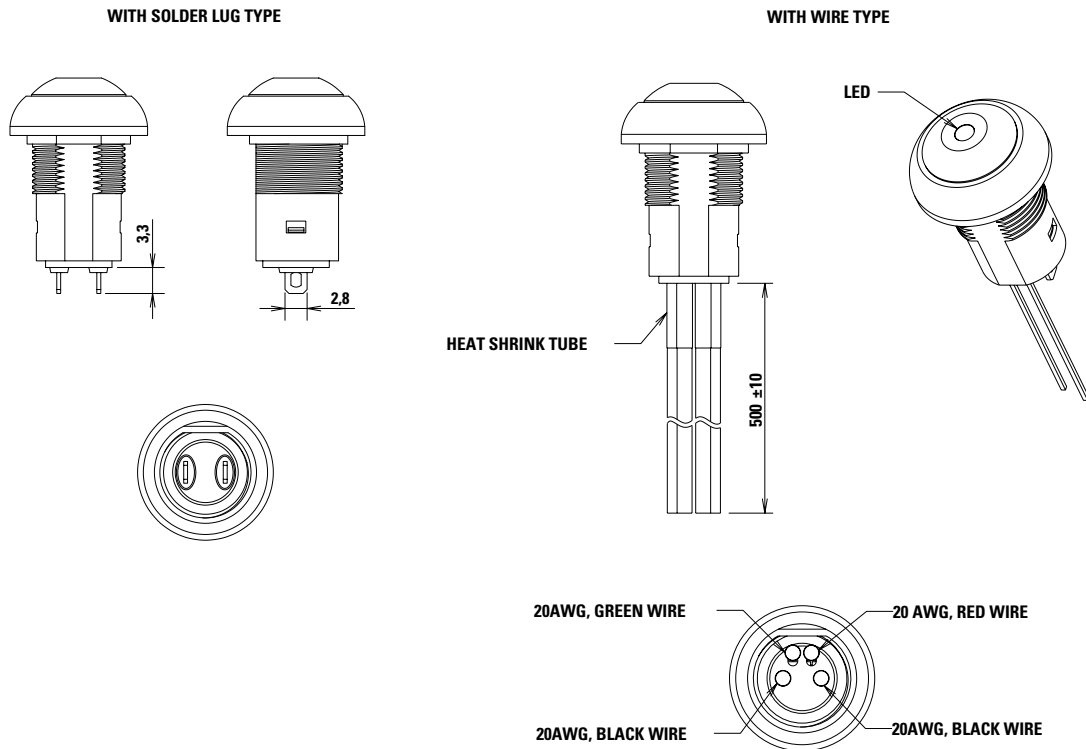


### Actuator Style View (mm)



**Notes:**  
 Panel thickness: 1.5mm to 4mm  
 Only the standard actuator has LED

### Termination



**Disclaimer Notice** - Information furnished is believed to be accurate and reliable. However, users should independently evaluate the suitability of and test each product selected for their own applications. Littelfuse products are not designed for, and may not be used in, all applications. Read complete Disclaimer Notice at <http://www.littelfuse.com/disclaimer-electronics>.